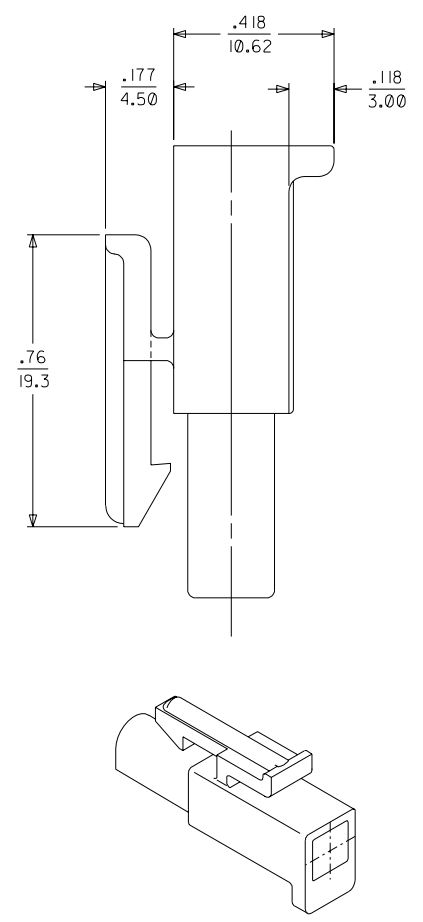
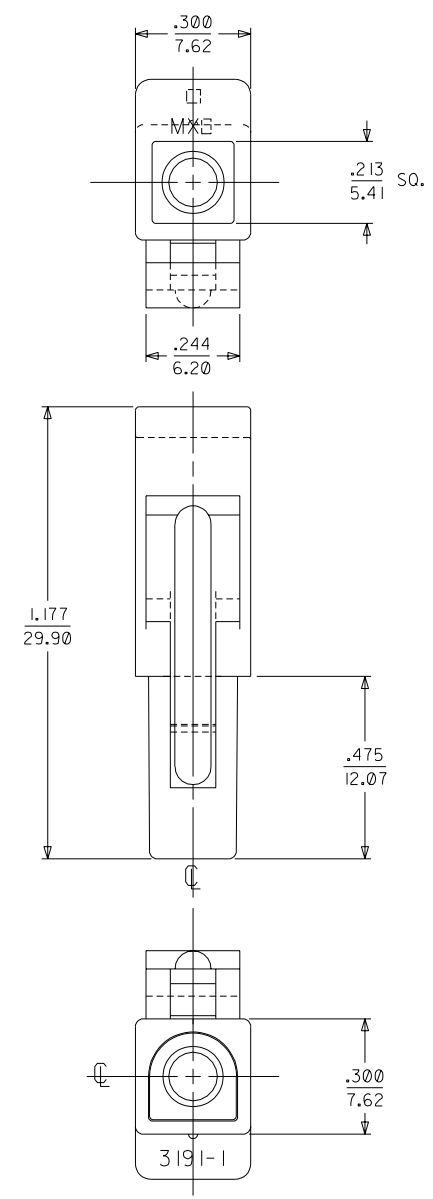


PLUG



RECEPTACLE

OBSOLETE 3191-1R1RD EC NO. LUCP2004-0423 DRWN: ELHAG 09/03/03 CHK: ELHAG 09/03/03 APPR: FSMITH 09/10/03	DESCRIPTION	QUALITY SYMBOLS	GENERAL TOLERANCES: (UNLESS SPECIFIED)	SCALE 4 : 1	DESIGN UNITS <input type="checkbox"/> mm <input checked="" type="checkbox"/> INCH	THIRD ANGLE PROJECTION <input type="checkbox"/> mm <input checked="" type="checkbox"/> INCH <input type="checkbox"/> mm ONLY	DIMENSIONS: <input type="checkbox"/> mm <input checked="" type="checkbox"/> INCH <input type="checkbox"/> mm ONLY	2 E	E
		MAJOR $\nabla = 0$	4 PLACES $\pm 0.---$ $\pm .---$	DRAWN BY & DATE JBS 06/10/03	TITLE: .093/(2.36) HOUSING, PLUG AND RECEPTACLE, 1 - CIRCUIT		1 E	E	
		CRITICAL $\nabla C = 0$	3 PLACES $\pm 0.$ $\pm .010$	CHECKED BY & DATE BW 06/13/03	MATERIAL NO. SEE CHART		SHT REV	REV	
			2 PLACES ± 0.25 $\pm .014$	APPROVED BY & DATE BW 06/16/03	DRAWING NO. SD-3191-1*		REVISE ON CAD ONLY		
		1 PLACE ± 0.36 $\pm .$	ANGULAR: $\pm 1^\circ$	CAD FILENAME SD-3191-1.DGN					
REV E			DRAFT WHERE APPLICABLE MUST REMAIN WITHIN DIMENSIONS	THIS DRAWING CONTAINS INFORMATION THAT IS PROPRIETARY TO MOLEX INCORPORATED AND SHOULD NOT BE USED WITHOUT WRITTEN PERMISSION.					SIZE C

PLUG		RECEPTACLE		OBSOLETE
PART NO.	ENG. NO.	PART NO.	ENG. NO.	
19-09-2018	3191-IP	19-09-1019	3191-IR1	
19-09-2019	3191-IP1	19-09-1016	3191-IR1-201	
19-09-2017	3191-IP-201	19-09-6010	3191-IRIRD	
19-09-2016	3191-IP1-201	19-09-6011	3191-IRIBU	
19-09-2015	3191-IPRD			

LEGEND

3191-|****-*

CIRCUIT SIZE

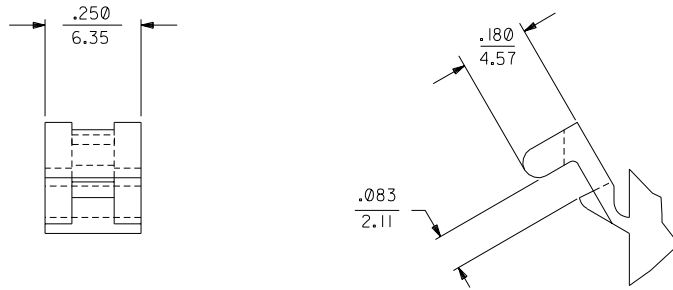
P = PLUG
R = RECEPTACLE

EARS: BLANK = WITH PREBENT EARS (PLUG ONLY)
I = WITHOUT EARS

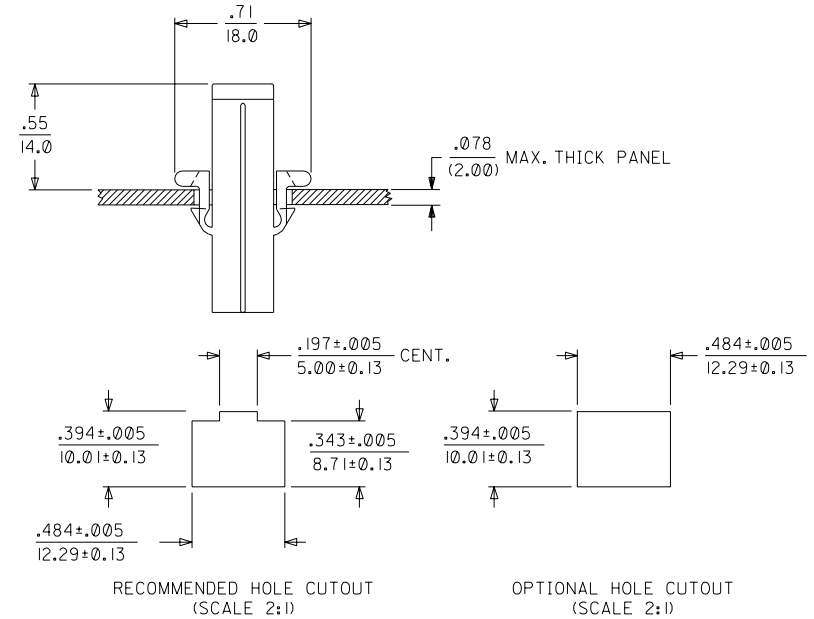
COLOR: BLANK = NATURAL COLOR

AM=AMBER BK=BLACK BU=BLUE
BN=BROWN GY=GRAY GN=GREEN
OR=ORANGE RD=RED YW=YELLOW

MATERIAL: PER NOTE 1.



DETAIL "A"
PREBENT MOUNTING EAR
(SCALE 4:1)



NOTES:

- MATERIAL:
"BLANK" - NYLON TYPE 6/6, 94V-2. COLOR: NATURAL.
201 - NYLON TYPE 6/6, 94V-0. COLOR: WHITE.
- FINISH: NONE.

DIMENSIONS SHOWN (METRIC INCH)	
UNLESS OTHERWISE SPECIFIED TOLERANCES: ANGULAR ± .04° 10	
5 PLACE ± .010	---
2 PLACE ± .014	± 0.25
1 PLACE ---	± 0.36
DRAFT WHERE APPLICABLE MUST REMAIN WITHIN DIMENSIONS	
DRWG. BY: JBS	CHK'D. BY: BW
APP'D. BY: BW	SCALE: ---:---

▽ = 0	▼ = 0	REVISE ONLY ON CAD SYSTEM
TITLE: .093/(2.36) HOUSINGS PLUG AND RECEPTACLE I CIRCUIT		
MOLEX INCORPORATED U.S.A.	SHEET NO. 2	DATE 06/10/03
PART NO. SD-3191-1*	DRWG. NO.	
SEE CHART		
THIS DRAWING CONTAINS INFORMATION THAT IS PROPRIETARY TO MOLEX INC. AND SHOULD NOT BE USED WITHOUT WRITTEN PERMISSION.		

LTR.	REVISIONS	LTR.	REVISIONS
		E	SEE SHEET 1
		D4	SEE SHEET 1